

Sensor-switched LED floodlight

LS 150 S

black
EAN 4007841 052546
Article number 052546



LED

4000 K



Infrarot-Sensor
240°



Max. 10 m



IP44



2 - 1000 Lux



10 Sek - 15 Min



Lichtquelle nicht
austauschbar



Betriebsgerät nicht
austauschbar



Energie sparen

30 Jahre (Ø 4,5 Std /
Tag)

4000K neutralweiß

Function description

Extremely bright, robust and vigilant: the LS 150 S sensor-switched floodlight. On-demand light for illuminating large areas around buildings. Infrared sensor with 240° angle of coverage and 12 m reach. Light output 1486 lm, colour temperature 4000 K, power consumption 14,7 W. Robust aluminium floodlight head. Available in black or white.

Technical specifications

Dimensions (L x W x H)	176 x 155 x 210 mm
With lamp	Yes, STEINEL LED system
With motion detector	Yes
Manufacturer's Warranty	3 years
Settings via	Potentiometers
Version	black
PU1, EAN	4007841052546
Application, place	Outdoors
Application, room	outdoors, all round the building, courtyard & driveway
Colour	black
Includes corner wall mount	No
Installation site	wall, corner
Installation	Wall, corner, Surface wiring
Impact resistance	IK03
IP-rating	IP44
Protection class	I

Electronic scalability	No
Mechanical scalability	No
Reach, radial	r = 3.5 m (26 m ²)
Reach, tangential	r = 12 m (302 m ²)
Abdeckmaterial Lieferumfang	shrouds
Luminous flux total product	1375 lm
Measured luminous flux (360°)	1486 lm
Total product efficiency	94 lm/W
Colour temperature	4000 K
Colour variation LED	SDCM3
Lamp	LED cannot be replaced
Service life LED L70B50 (25°)	> 36000 h
Soft light start	No
Twilight setting	2 - 1000 lx
Time setting	10 s - 15 Min.
Basic light level function	No
Main light adjustable	No

Sensor-switched LED floodlight

LS 150 S

black
EAN 4007841 052546
Article number 052546



Technical specifications

Ambient temperature	-10 – 30 °C	Interconnection	No
Housing material	Aluminium	Output	14,7 W
Cover material	Glass transparent	Colour Rendering Index CRI	= 80
Mains power supply	220 – 240 V / 50 – 60 Hz	Optimum mounting height	2 m
Mounting height max.	4,00 m	Detection angle	240 °
Sneak-by guard	Yes		

Accessories

EAN 4007841 630560

Corner wall mount LS 150 S

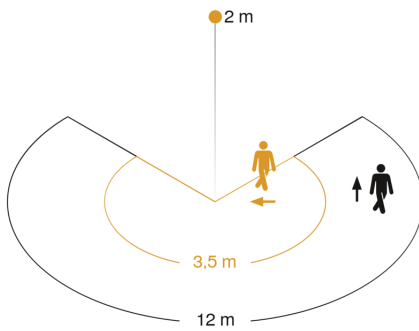
Sensor-switched LED floodlight

LS 150 S

black
EAN 4007841 052546
Article number 052546

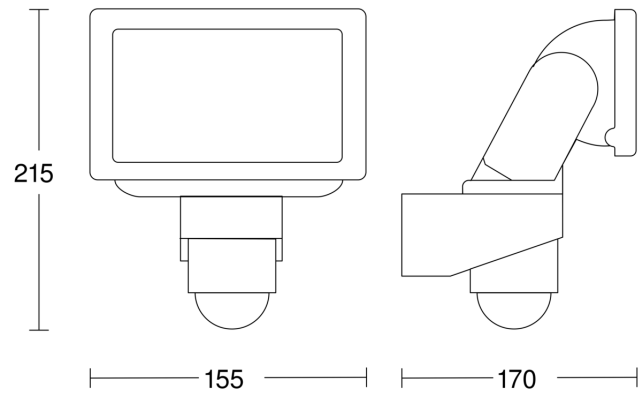


Detection Zone



Possible mounting height: 1,80 m– 4,00 m
Orange: radial
Black: tangential

Dimension Drawing



Circuit diagram

