

Data sheet

Part No.	CB 2 WH
Description	through box Circular box for surface installation with 2 mounting lugs, standard mounting screw spacing 50.8mm (2") for conduit diameters 20mm to 25mm, with brass inserts M 4, without lid
Colour	white, similar to RAL 9010

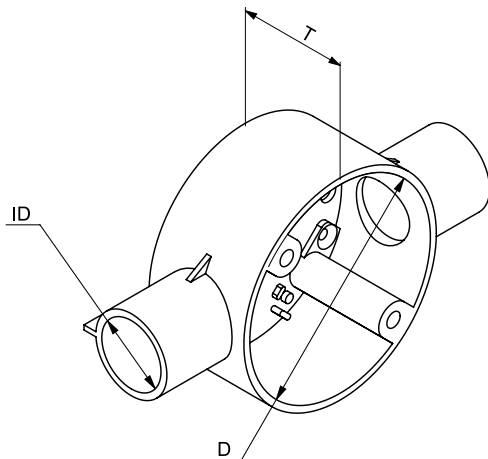
PVC-LSF 



Standard: BS 4607, EN 60670



Working temperature	Degree of protection (IP)	Number of inlets	Material	
-5 to +60 °C	IP3X	2	PVC-LSF	
Art. no.	Dimensions Ø/LxW x D	For tube diameter	ps	pl
104 242 CB 20/2 WH	65 x 32 mm	20 mm	25 pc	300 pc
104 247 CB 25/2 WH	65 x 32 mm	25 mm	25 pc	240 pc



For sale in the UK market only.