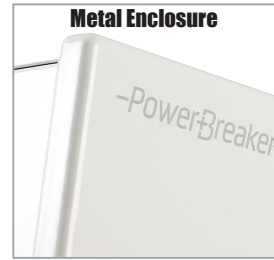


-PowerBreaker-

Shower & Garage Consumer Units



The PBSU is supplied with 63A RCCB and 1 x 50A MCB.

PBSU - Shower Consumer Unit Contents:-

- 1 Way for MCB Supplied 1 x 50A
- RCCB 63A, Type A, 30mA
- 3 year Guarantee



PBSU

Consumer Unit Board Modules	
MCB	RCCB (RCD)

PBSU - 3 Module Board Layout



The PBGU is supplied with 63A RCCB and 2 MCB's 1 x 6A & 1 x 16A.

PBGU - Garage Consumer Unit Contents:-

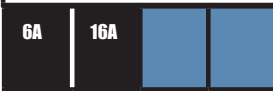
- 2 Way for MCB's Supplied 1 x 6A & 1 x 16A
- RCCB 63A, Type A, 30mA
- 3 year Guarantee



PBGU

Consumer Unit Board Modules	
MCB	RCCB (RCD)

PBGU - 4 Module Board Layout

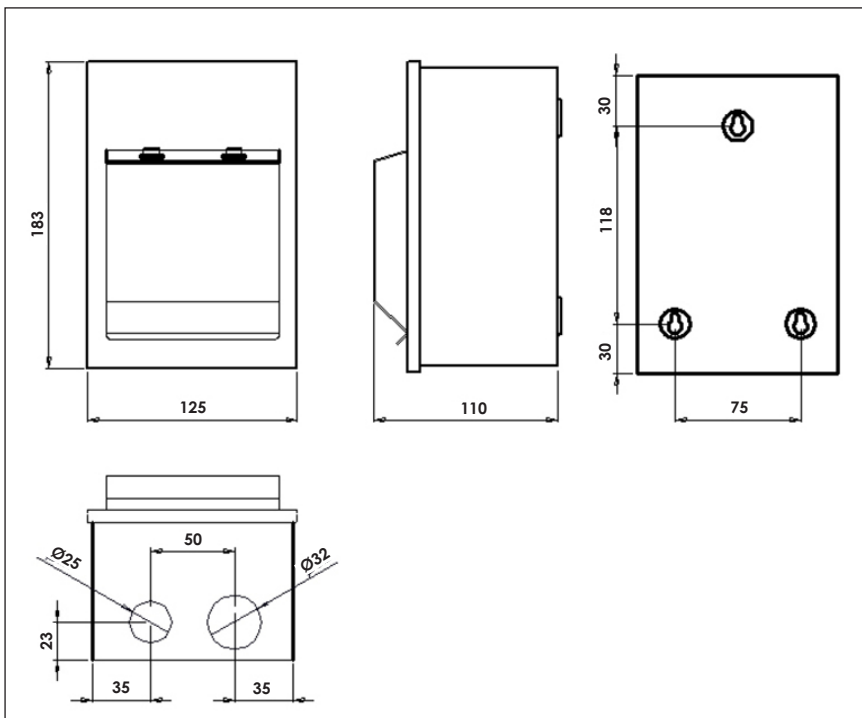


-PowerBreaker-

Shower & Garage Consumer Units

Dimensions

For consumer Units - PBSU & PBGU



Technical Information

	PBSU	PBGU
Description	Shower Unit	Garage Unit
Barcode	5012739 648892	5012739 648885
Weight		
Impact Rating	IK 05	IK 05
IP Rating	IPX4	IPX4
Colour	White Ral 9003	White Ral 9003
Enclosure	Steel	Steel
Guarantee	3 Years	
Conforms To	BS EN 61439-3	



PBSU



PBGU